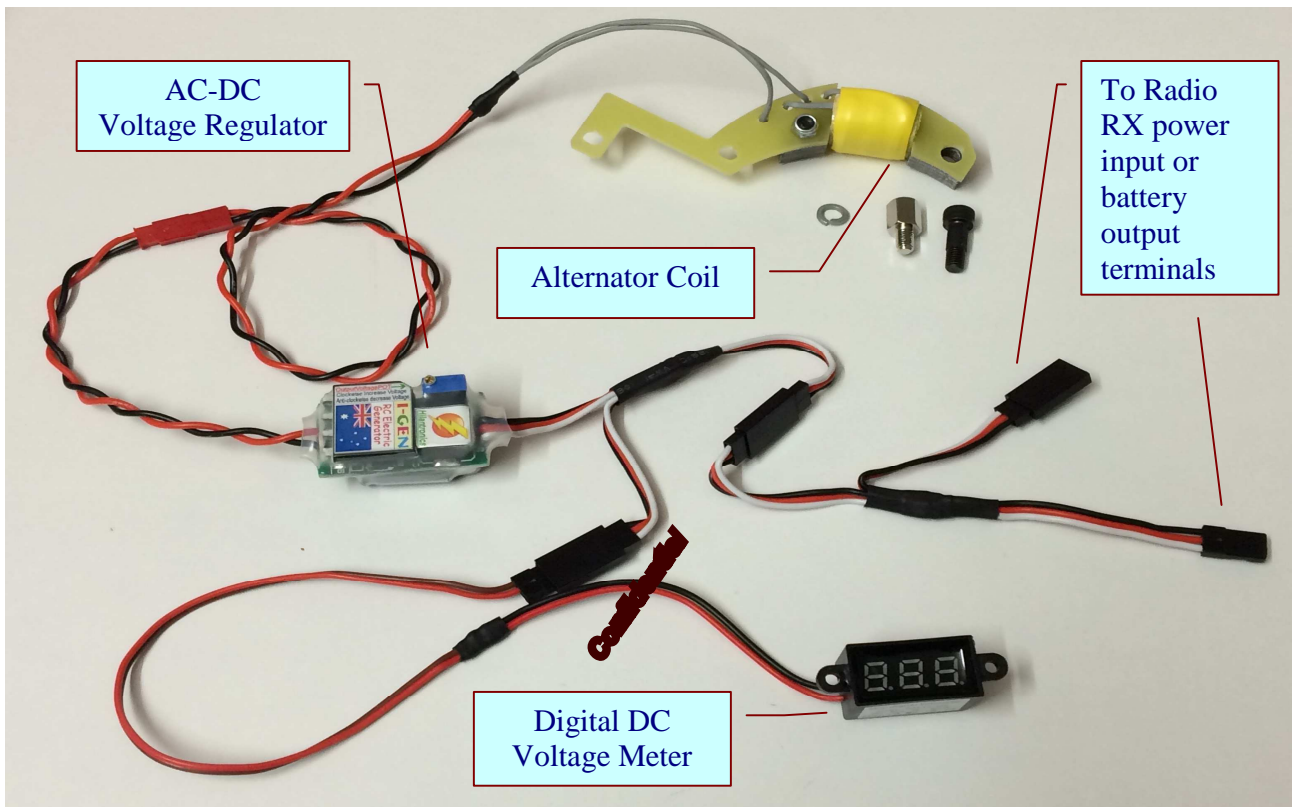




1-Gen RC Electric Generator

I-Gen RC Electric Generator is a power generator for RC Zenoah and CY engines. It generates electricity to keep battery charged while the engine is running. It works like an onboard battery charger and constantly top up the battery charge level once the battery level drops below the preset voltage level. Designed and made in Australia, it is one of the most powerful onboard chargers in the market. It is very easy to install and can be used on any large scale Gas RC cars and helis.



The Kit Contents:

- 1 x Alternator coil
- 1 x AC/DC Voltage Regulator
- 1 x Digital DC voltage meter
- 1 x Hex threaded spacer M5 x 10mm
- 1 x M5 spring washer
- 1 x M5 bolt
- 1 x Y cable

Specifications:

Engine types: Zenoah and CY 23cc to 30cc or similar
Battery types: NiCd, LiFe 2cells(6.6V), LiPo 2cells(7.4V), NiMH.
Voltage at idle: aprox. 4.0 to 6.0VDC @ 0.25 to 0.5 ADC
Voltage at full throttle: aprox. 10VDC @ 1.5+ ADC

Note:

- 1) Voltage and Current output variations are depending on how the alternator was installed such that the spacing gap between the alternator and the flywheel magnets and the engine's RPM.
- 2) The AC/DC Voltage Regulator does not have a cell balancer, it charges the battery by supplies current at a preset voltage. For LiFe and Lipo packs, cell balancing should be done by battery charger with balancer on a regular basis to make sure the cell are balanced and hence prolong the battery life.